

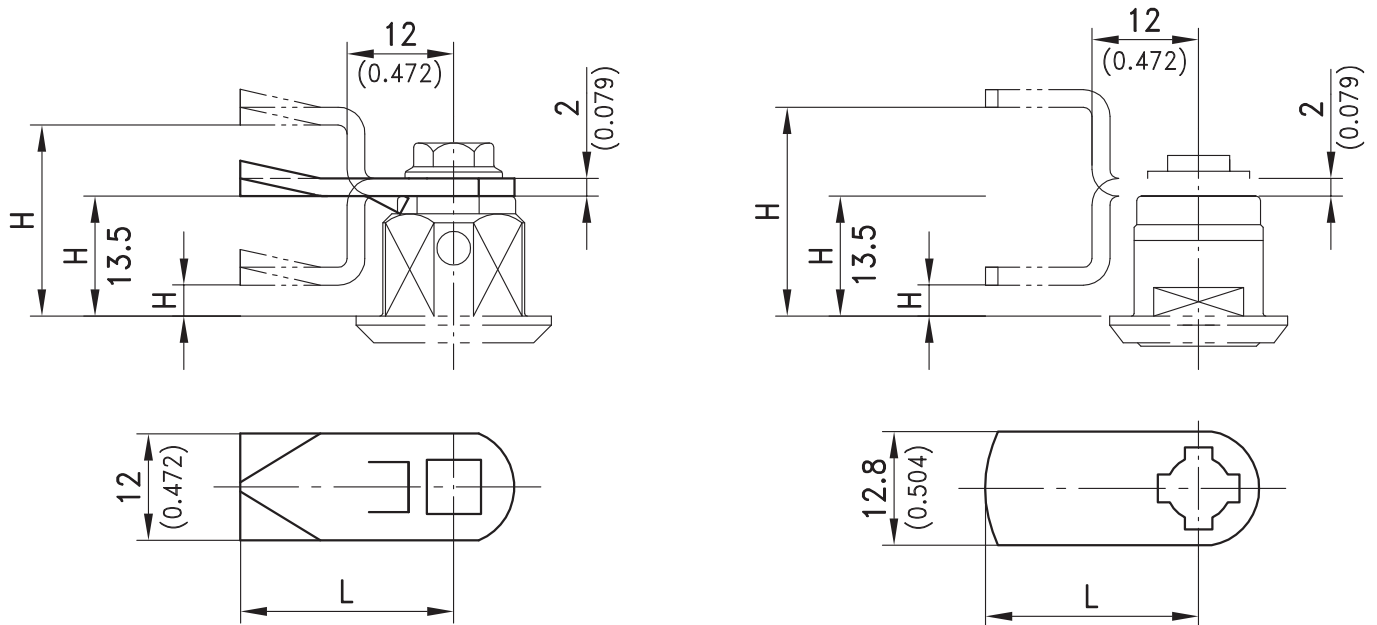
1-058 Cams

Quarter-Turn Pr14.1 cutout, Optional L and H dimension



Special cams for Quarter-Turn series with part number beginning with 220

Material:
• Cams: Steel, Zinc Plated



	L and H in mm	Part No.	See Page
a) Part No. for cams with square connection and variable L and H dimensions	Example Part No. - cam with square connection with L=24 and H=34: 220-1024.00-00034	220-10LL.00-000HH	01.14, 01.17, 01.19, 01.82
b) Part No. for cams with star connection and variable L and H dimensions	Example Part No. - cam with star connection with L=24 and H=34: 220-2024.00-00034	220-20LL.00-000HH	01.16, 01.83